

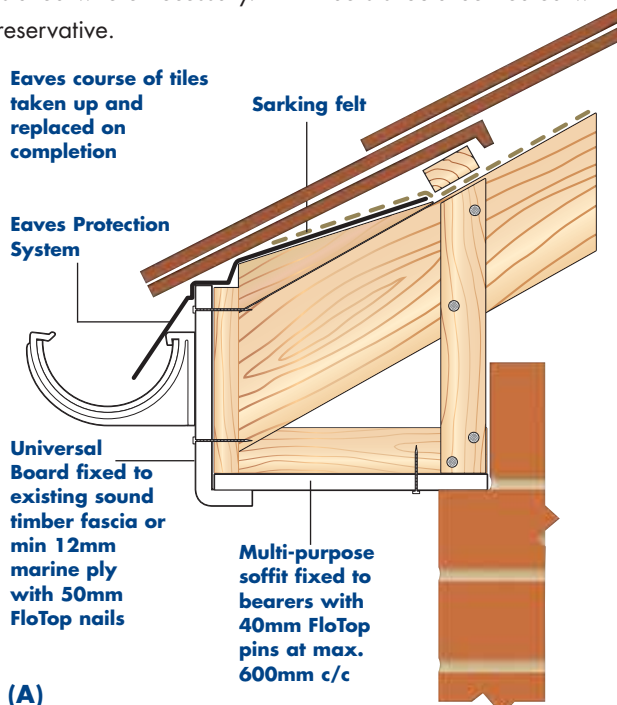
Installation Details

Refurbishment

(A) Universal/Ogee Board and Multi-Purpose Soffit

The Fascia should have a suitable existing or new backboard. The universal/ogee board should be fixed so that the weight of the eaves course of tiles is distributed across the backboard and/or tilt fillets.

The soffit board should be supported on bearers at the foot of every rafter and be securely supported at each end. A preferred method is to support them by battens nailed or screwed to the rafters as shown in the diagrams. The bearers should be checked for line and level and suitable packing installed where necessary. All timbers should be treated with preservative.



(A)

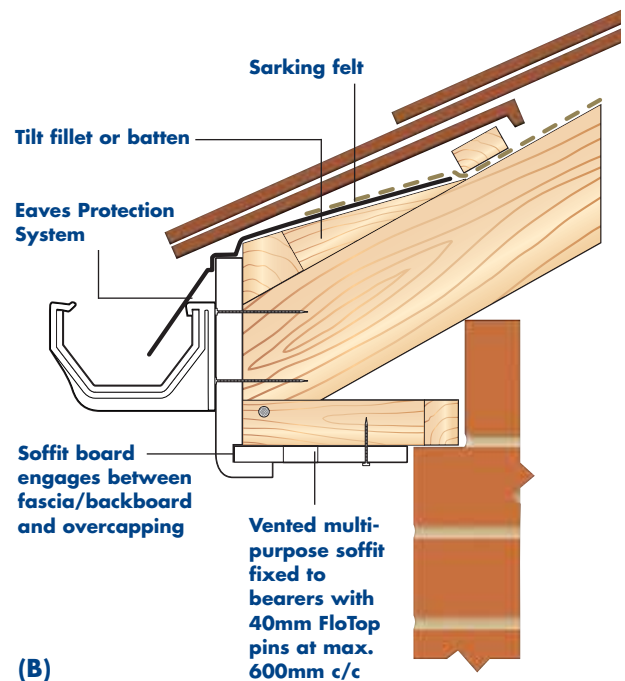
When installing laminated woodgrain products, fixing centres should be reduced to a maximum of 400mm.

New Build Replacement

(B) Mammoth Board and Vented Soffit

When Mammoth Fascia is specified the roof covering should be supported by adequate means at the rafter ends. This can be by means of a tilt fillet, lay board or a shaped batten which extends the full length of the roof line. A lay board is particularly desirable in the case of pitches less than 30° as it will prevent any sagging of the Sarking felt.

Vented soffit boards are available in a range of sizes when roof ventilation via the soffit is specified. The boards fit into the groove of the Mammoth Board and should be fixed to suitable soffit bearers.



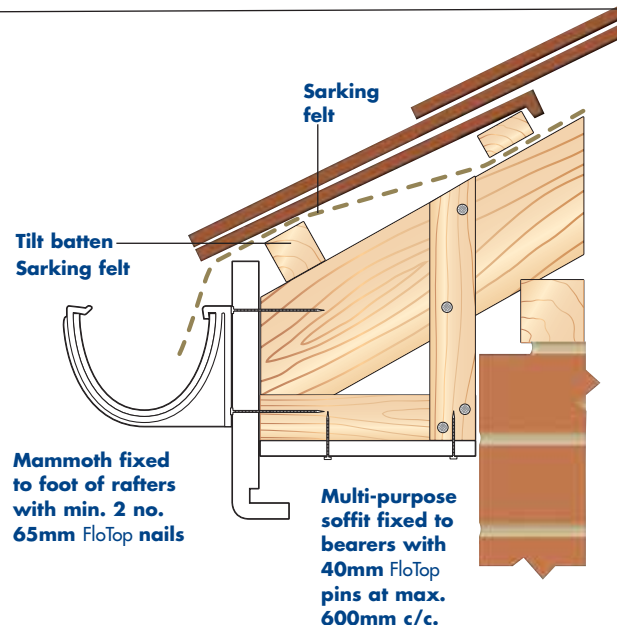
(B)

When installing laminated woodgrain products, fixing centres should be reduced to a maximum of 400mm.

New Build Replacement

(C) Mammoth Board and Multi-Purpose Soffit

It is not always necessary for the soffit to fit into the groove at the back of the Mammoth board. Diagram (c) shows a deeper Mammoth fascia, which has been chosen for design or appearance criteria, the Multi-Purpose soffit butts against the back of the Mammoth board and is fixed to each soffit bearer with two 40mm FloTop Pins.



(C)

When installing laminated woodgrain products, fixing centres should be reduced to a maximum of 400mm.

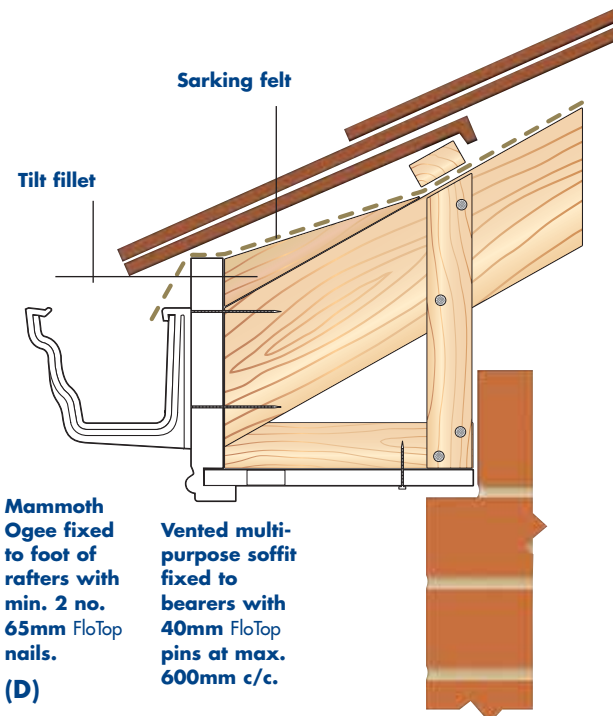
Installation Details

New Build Replacement

(D) Mammoth Ogee Board and Vented Soffit

The diagram shows the Ogee style Mammoth fascia; the appearance of this board makes it particularly favourable for the specifier and homeowner alike when trying to achieve a period appearance.

When used in conjunction with Decorative Bargeboard Mouldings and Niagara® Gutter, an otherwise mundane appearance can be transformed into an aesthetically pleasing feature to a property.



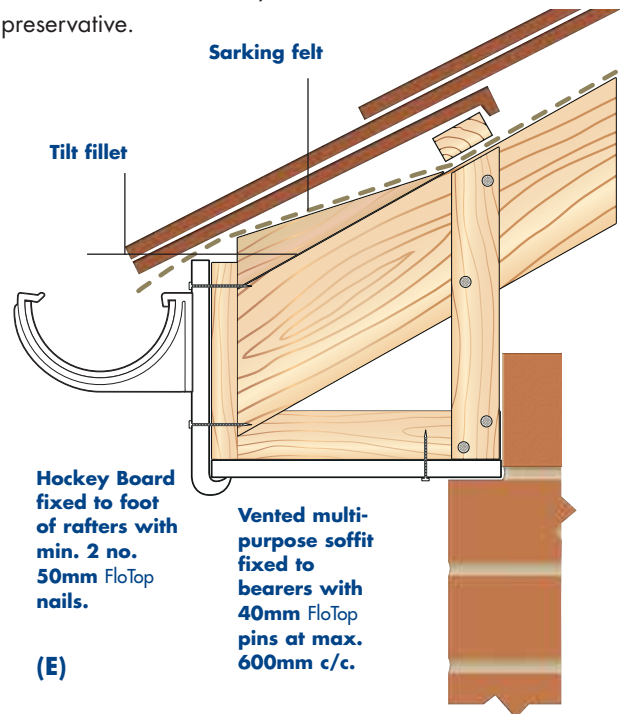
When installing laminated woodgrain products, fixing centres should be reduced to a maximum of 400mm.

New Build Replacement

(E) Hockey Board

The Fascia should have a suitable existing or new backboard. The Hockey Board should be fixed so that the weight of the eaves course of tiles is distributed across the backboard and/or tilt fillets.

The soffit board should be supported on bearers at the foot of every rafter and be securely supported at each end. A preferred method is to support them by battens nailed or screwed to the rafters as shown in the diagram. The bearers should be checked for line and level and suitable packing installed where necessary. All timbers should be treated with preservative.



New Build Replacement

(F) Mammoth Bullnose Fascia

A common design feature for the 'cottage' effect is to leave the rafter ends exposed 'open eaves'. The Bullnose fascia is then fixed to the rafter ends as a 'gutter board' to allow the installation of a rainwater system.

